

INVOIC D97A

EDIFACT/D97A/INVOIC : Invoice Message

Version: June 2024 Final

Author:	Cummins Electronic Commerce Support
Company:	Cummins Inc.
Publication:	6/3/2024
Trading Partner:	Cummins Suppliers

Table of Contents

INVOIC	Invoice message	1
	Branching Diagram - 1	6
	Branching Diagram - 2	7
	Branching Diagram - 3	8
	Branching Diagram - 4	9
	Branching Diagram - 5	10
UNB	INTERCHANGE HEADER	11
UNH	MESSAGE HEADER	14
BGM	BEGINNING OF MESSAGE	16
DTM	DATE/TIME/PERIOD	18
Group 1	Segment Group 1	19
RFF	REFERENCE	20
Group 2	Segment Group 2	22
NAD	NAME AND ADDRESS	23
FII	FINANCIAL INSTITUTION INFORMATION	26
Group 3	Segment Group 3	28
RFF	REFERENCE	29
Group 7	Segment Group 7	30
CUX	CURRENCIES	31
Group 25	Segment Group 25	32
LIN	LINE ITEM	33
PIA	ADDITIONAL PRODUCT ID	35
IMD	ITEM DESCRIPTION	36
QTY	QUANTITY	37
ALI	ADDITIONAL INFORMATION	38
FTX	FREE TEXT	39
Group 26	Segment Group 26	40
MOA	MONETARY AMOUNT	41
Group 28	Segment Group 28	42
PRI	PRICE DETAILS	43
Group 29	Segment Group 29	44
RFF	REFERENCE	45
Group 33	Segment Group 33	47
TAX	DUTY/TAX/FEE DETAILS	48
MOA	MONETARY AMOUNT	50
UNS	SECTION CONTROL	51
Group 49	Segment Group 49	52
MOA	MONETARY AMOUNT	53
Group 51	Segment Group 51	55
TAX	DUTY/TAX/FEE DETAILS	56
MOA	MONETARY AMOUNT	58

Group 52	Segment Group 52	60
ALC	ALLOWANCE OR CHARGE	61
MOA	MONETARY AMOUNT	63
UNT	MESSAGE TRAILER	64
UNZ	INTERCHANGE TRAILER	65

INVOIC Invoice message

Message Status=2

Definition: A message claiming payment for goods or services supplied under conditions agreed between the seller and the buyer. The United Nations Standard Invoice Message, with correct data qualification, serves also as the specification for Debit Note and Credit Note messages. Throughout this document, the reference to 'Invoice' may be interpreted as conveying the wider meaning of 'Invoice/Credit Note/Debit Note'.

Cummins Note:

Cummins processes invoices at Cummins Business Services (CBS) regional locations, depending on where the Cummins plant is located. You can find the appropriate CBS region by referring to the bill-to address on each Purchase Order.

At this time only certain Cummins Accounts Payable (AP) regions accept EDI invoices, but more regions are being added.

How to send a correct INVOIC to Cummins Accounts Payable

1. Make sure you are approved to submit INVOICs to the Accounts Payable region you are billing. Each CBS AP region tests for EDI invoicing separately, and so you must receive separate approval for each region. Once you are approved for a region, you are then approved for all Cummins plants that bill to that region. INVOIC testing is handled separately from DELFOR/DESADV testing. Contact Electronic.Commerce.Support@cummins.com to get information about the INVOIC testing and approval process.

2. Send your INVOIC to the correct AP region.

This list is complete as of the date this document was published. For the current list refer to <https://public.cummins.com/sites/CSP/en-us/Pages/EDI-Implementation-Information.aspx>.

CBS AP Region	Receiver ID:Qualifier
CBS Australia (CBSA)	940777858:1
CBS Belgium (CBSB)	372051318:1
CBS China (CBSC)	654698141:1
CBS Ghana (CBSAG)	850458834:1
CBS Mexico (CBSM)	932707235:1
CBS Singapore (CBSS)	595127986:1
CBS South Africa (CBSSA)	635214682:1
CBS UK (CBSE)	217480354:1
CBS US (CBSN)	006415160:1

3. Use a unique invoice number.

Invoice numbers must be unique for every invoice per CBS AP region and are assigned by the supplier. Duplicate invoice numbers received from the same supplier are rejected in order to avoid accidental duplication of payments.

4. Verify that your INVOIC matches your physical shipments.

Any discrepancy will cause reconciliation issues and potential payment delay for the supplier.

5. Match the information provided in the Purchase Order.

INVOIC information must agree with the information contained in the corresponding DELFOR, DELJIT, or ORDERS message. Use the same PO numbers, part numbers, etc. Any discrepancy will cause reconciliation issues and potential payment delay for the supplier. If you do not receive a DELFOR, DELJIT, or ORDERS message for a particular plant, match the information on the Purchase Order.

6. Submission of invoices for blanket vs standard purchase orders.

For blanket purchase orders, the PO number should be sent only at the header level. For standard

purchase orders, the PO number should only be sent at the line level. Further information is provided in this Implementation Guide (IG).

7. List your line items correctly.

Each part number should be listed only one time in the INVOIC. Additional charges such as freight, taxes, etc. should each be listed separately, using the proper segments as described later in this IG.

8. Respond immediately to error messages.

If you receive any error notice, it means your INVOIC did not get processed for payment. Error notices will be sent in one of two formats:

a) If there are technical issues with the format of your INVOIC, you may receive an error report from Cummins Electronic Commerce Support via email. Correct your errors and resubmit the INVOIC with the same invoice number.

b) If your INVOIC has no technical issues but has data issues, the Cummins CBS AP region may send an APERAK (Application Error Acknowledgement message) via EDI in response which will include information about the error that occurred. Contact the CBS AP region for more information about how to resolve the error. You can find the contact information of the CBS AP group for that respective region at supplier.cummins.com under the Supplier Payments section.

Example EDI:

****NOTE****: Bolded segments/elements are Cummins mandatory. Due to the bold formatting, please be aware that for some segments word wrapping has occurred.

```

UNB+UNOA:1+SENDER ID:SENDER QUAL+RECEIVER ID:RECEIVER
QUAL+DATE:TIME+1++INVOIC
UNH+1+INVOIC:D:97A:UN
BGM+380+INVOICE NUMBER+9
DTM+3:INVOICE DATE:102
RFF+PK:PACKING LIST NUMBER
RFF+ON:PURCHASE ORDER NUMBER (Review description at segment level for
proper usage)
RFF+SRN:SHIPMENT REFERENCE NUMBER
RFF+ACE:RELATED DOCUMENT NUMBER
NAD+SF+SUPPLIER CODE++SUPPLIER NAME+STREET 1:STREET 2:STREET 3+CITY
NAME+STATE+ZIP CODE+COUNTRY
RFF+VA:SHIP-FROM VAT REGISTRATION ID
NAD+ST+SHIP TO CODE++SHIP TO CUSTOMER NAME+STREET 1:STREET 2:STREET 3+CITY
NAME+STATE+ZIP CODE+COUNTRY
RFF+VA:SHIP-TO VAT REGISTRATION ID
CUX+1:CURRENCY CODE
LIN+1++PART NUMBER 1:IN
PIA+1+VENDORPART:VP
PIA+1+HARMONISED SYSTEM CODE:HS
IMD+F++:::ITEM DESCRIPTION

```

QTY+47:QUANTITY:EA
 ALI+COUNTRY OF ORIGIN
 FTX+TXD+3++EXEMPTION FREE TEXT
 MOA+203:LINE ITEM AMOUNT
 PRI+INV:UNIT PRICE
 RFF+ON:PURCHASE ORDER NUMBER (Review description at segment level for proper usage)
 RFF+RE:RELEASE NUMBER
 TAX+7+VAT+++:::TAX RATE++TAX ID CODE
 MOA+125:TAXABLE AMOUNT
 UNS+S
 MOA+77:LINE ITEM AMOUNT TOTAL
 MOA+39:INVOICE TOTAL
 TAX+7+VAT+++:::TAX RATE++TAX ID CODE
 MOA+150:TAX AMOUNT
 MOA+57:EQUIVALENT AMOUNT
 ALC+C++++ADDITIONAL CHARGE CODE
 MOA+23:ADDITIONAL CHARGE AMOUNT
 UNT+27+1
 UNZ+1+1

Heading:

<u>Pos</u>	<u>Tag</u>	<u>Segment Name</u>	<u>Status</u>	<u>Rep</u>	<u>Notes</u>	<u>Usage</u>
	UNB	INTERCHANGE HEADER	M	1		Cummins Mandatory
0010	UNH	MESSAGE HEADER	M	1	N1/0010	Cummins Mandatory
0020	BGM	BEGINNING OF MESSAGE	M	1	N1/0020	Cummins Mandatory
0030	DTM	DATE/TIME/PERIOD	M	35	N1/0030	Cummins Mandatory
<u>0110</u>		<u>Segment Group 1</u>	<u>C</u>	<u>99</u>	<u>N1/0110</u>	<u>Cummins Mandatory</u>
0120	RFF	REFERENCE	M	1	N1/0120	Cummins Mandatory
<u>0200</u>		<u>Segment Group 2</u>	<u>C</u>	<u>99</u>	<u>N1/0200</u>	<u>Cummins Mandatory</u>
0210	NAD	NAME AND ADDRESS	M	1	N1/0210	Cummins Mandatory
0230	FII	FINANCIAL INSTITUTION INFORMATION	C	5	N1/0230	Cummins Optional
<u>0240</u>		<u>Segment Group 3</u>	<u>C</u>	<u>9999</u>	<u>N1/0240</u>	<u>Cummins Optional</u>
0250	RFF	REFERENCE	M	1	N1/0250	Cummins Mandatory
<u>0370</u>		<u>Segment Group 7</u>	<u>C</u>	<u>5</u>	<u>N1/0370</u>	<u>Cummins Mandatory</u>
0380	CUX	CURRENCIES	M	1	N1/0380	Cummins

<u>Pos</u>	<u>Tag</u>	<u>Segment Name</u>	<u>Status</u>	<u>Rep</u>	<u>Notes</u>	<u>Usage</u>
						Mandatory

Detail:

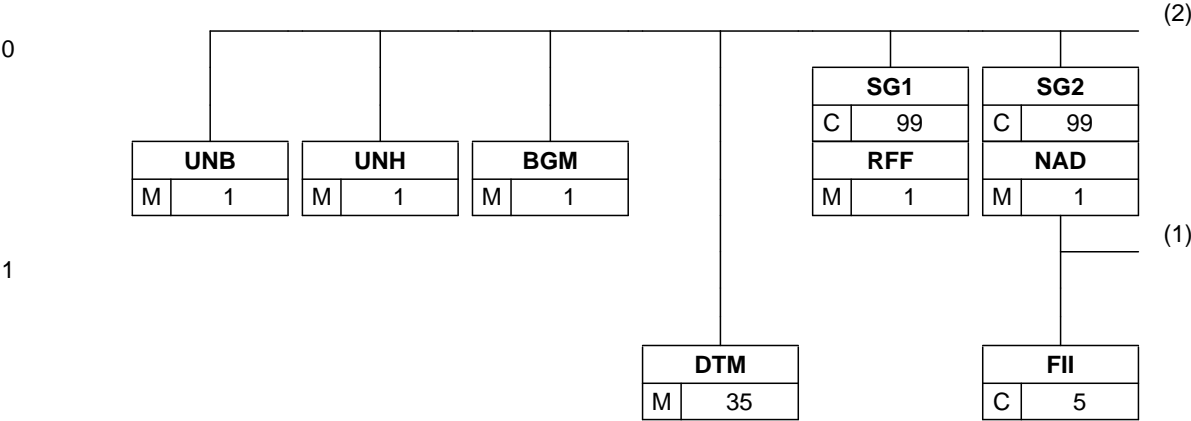
<u>Pos</u>	<u>Tag</u>	<u>Segment Name</u>	<u>Status</u>	<u>Rep</u>	<u>Notes</u>	<u>Usage</u>
1030		<u>Segment Group 25</u>	<u>C</u>	<u>9999999</u>	<u>N2/1030</u>	<u>Cummins Mandatory</u>
1040	LIN	LINE ITEM	M	1	N2/1040	Cummins Mandatory
1050	PIA	ADDITIONAL PRODUCT ID	C	25	N2/1050	Cummins Optional
1060	IMD	ITEM DESCRIPTION	C	10	N2/1060	Cummins Mandatory
1080	QTY	QUANTITY	C	5	N2/1080	Cummins Mandatory
1100	ALI	ADDITIONAL INFORMATION	C	5	N2/1100	Cummins Mandatory
1160	FTX	FREE TEXT	C	5	N2/1160	Cummins Optional
1180		<u>Segment Group 26</u>	<u>C</u>	<u>10</u>	<u>N2/1180</u>	<u>Cummins Mandatory</u>
1190	MOA	MONETARY AMOUNT	M	1	N2/1190	Cummins Mandatory
1260		<u>Segment Group 28</u>	<u>C</u>	<u>25</u>	<u>N2/1260</u>	<u>Cummins Mandatory</u>
1270	PRI	PRICE DETAILS	M	1	N2/1270	Cummins Mandatory
1320		<u>Segment Group 29</u>	<u>C</u>	<u>10</u>	<u>N2/1320</u>	<u>Cummins Optional</u>
1330	RFF	REFERENCE	M	1	N2/1330	Cummins Mandatory
1480		<u>Segment Group 33</u>	<u>C</u>	<u>99</u>	<u>N2/1480</u>	<u>Cummins Optional</u>
1490	TAX	DUTY/TAX/FEE DETAILS	M	1	N2/1490	Cummins Mandatory
1500	MOA	MONETARY AMOUNT	C	1	N2/1500	Cummins Mandatory

Summary:

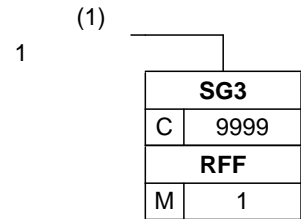
<u>Pos</u>	<u>Tag</u>	<u>Segment Name</u>	<u>Status</u>	<u>Rep</u>	<u>Notes</u>	<u>Usage</u>
2090	UNS	SECTION CONTROL	M	1	N3/2090	Cummins Mandatory
2110		<u>Segment Group 49</u>	<u>M</u>	<u>100</u>	<u>N3/2110</u>	<u>Cummins Mandatory</u>
2120	MOA	MONETARY AMOUNT	M	1	N3/2120	Cummins Mandatory
2160		<u>Segment Group 51</u>	<u>C</u>	<u>10</u>	<u>N3/2160</u>	<u>Cummins Optional</u>
2170	TAX	DUTY/TAX/FEE DETAILS	M	1	N3/2170	Cummins Mandatory
2180	MOA	MONETARY AMOUNT	C	2	N3/2180	Cummins

<u>Pos</u>	<u>Tag</u>	<u>Segment Name</u>	<u>Status</u>	<u>Rep</u>	<u>Notes</u>	<u>Usage</u>
						Mandatory
<u>2190</u>		<u>Segment Group 52</u>	<u>C</u>	<u>15</u>	<u>N3/2190</u>	<u>Cummins Optional</u>
2200	ALC	ALLOWANCE OR CHARGE	M	1	N3/2200	Cummins Mandatory
2220	MOA	MONETARY AMOUNT	C	2	N3/2220	Cummins Mandatory
2240	UNT	MESSAGE TRAILER	M	1	N3/2240	Cummins Mandatory
	UNZ	INTERCHANGE TRAILER	M	1		Cummins Mandatory

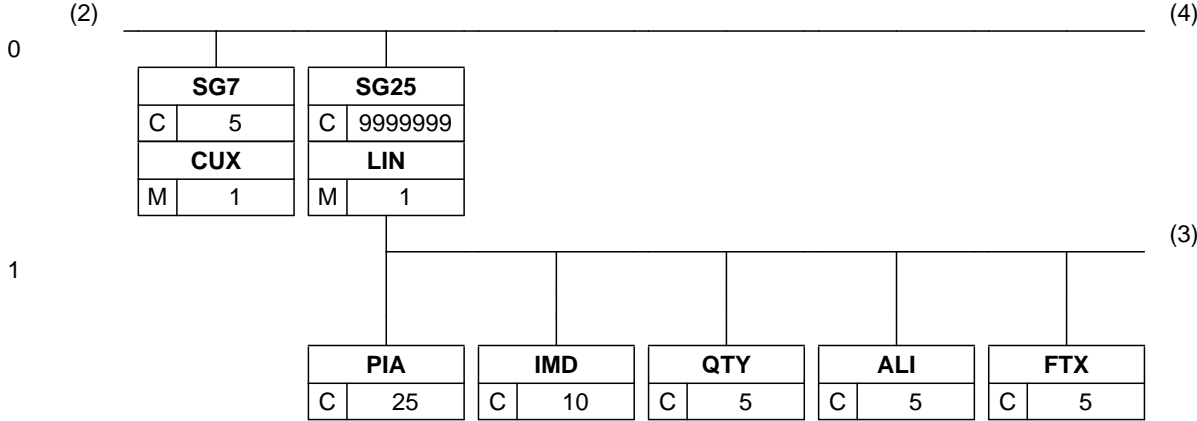
Branching Diagram: INVOIC(Invoice message)



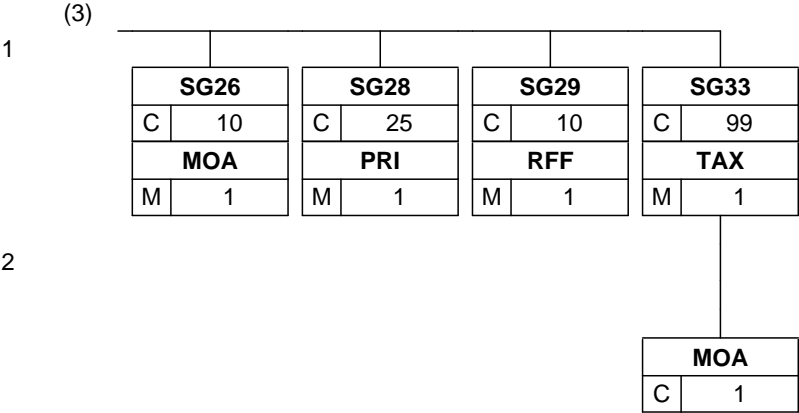
Branching Diagram: INVOIC(Invoice message)



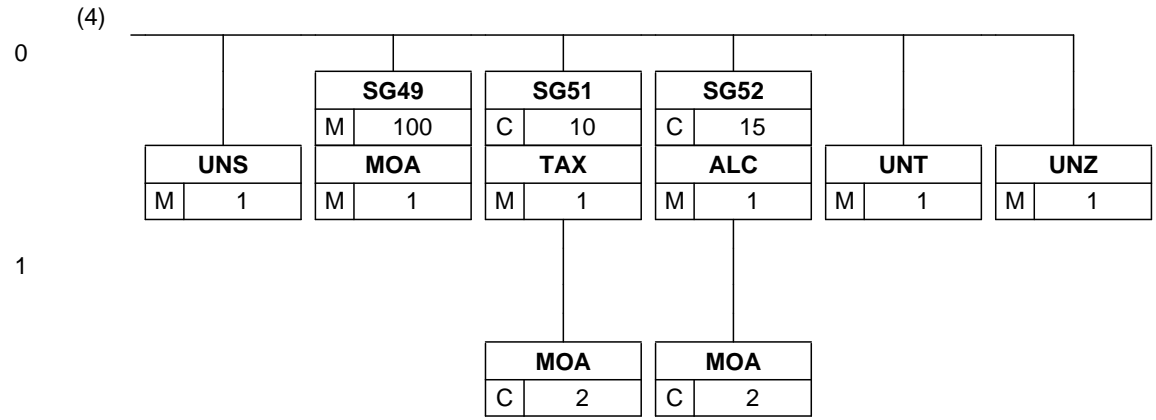
Branching Diagram: INVOIC(Invoice message)



Branching Diagram: INVOIC(Invoice message)



Branching Diagram: INVOIC(Invoice message)



UNB INTERCHANGE HEADER

Pos:	Max: 1
Mandatory	
Group: N/A	Elements: 6

User Option (Usage): Cummins Mandatory

Example EDI:

```
UNB+UNOA:1+SENDERID:1+RECEIVERID:1+170510:1111+1
or
UNB+UNOB:2+SENDERID:1+RECEIVERID:1+170510:1111+1
or
UNB+UNOA:1+SENDERID:1+RECEIVERID:1+170510:1111+1++INVOIC
or
UNB+UNOB:2+SENDERID:1+RECEIVERID:1+170510:1111+1++INVOIC
```

Element Summary:

Ref	Tag	Element Name	Status	Type	Min/Max	Usage
UNB010	S001	SYNTAX IDENTIFIER	M	Comp		Cummins Mandatory

Description: Identification of the agency controlling the syntax and indication of syntax level.

UNB010-010	0001	Syntax identifier	M	a	4/4	Cummins Mandatory
------------	------	-------------------	---	---	-----	-------------------

Description: Coded identification of the agency controlling a syntax and syntax level used in an interchange.

Code List Summary (Total Codes: 6, Included: 2)

Code Name

UNOA UN/ECE level A

Description: As defined in the basic code table of ISO 646 with the exceptions of lower case letters, alternative graphic character allocations and national or application-oriented graphic character allocations.

UNOB UN/ECE level B

Description: As defined in the basic code table of ISO 646 with the exceptions of alternative graphic character allocations and national or application-oriented graphic character allocations.

UNB010-020	0002	Syntax version number	M	n	1/1	Cummins Mandatory
------------	------	-----------------------	---	---	-----	-------------------

Description: Version number of the syntax identified in the syntax identifier (0001).

Code List Summary (Total Codes: 3, Included: 2)

Code Name

1 Version 1 (used with UNOA)

Description: ISO 9735:1988.

2 Version 2 (used with UNOB)

Description: ISO 9735:1990.

UNB020	S002	INTERCHANGE SENDER	M	Comp		Cummins Mandatory
--------	------	--------------------	---	------	--	-------------------

<u>Ref</u>	<u>Tag</u>	<u>Element Name</u>	<u>Status</u>	<u>Type</u>	<u>Min/Max</u>	<u>Usage</u>
		Description: Identification of the sender of the interchange.				
UNB020-010	0004	Sender identification	M	an	1/35	Cummins Mandatory
		Description: Name or coded representation of the sender of a data interchange.				
		Cummins Note: Supplier EDI sender/receiver ID.				
UNB020-020	0007	Partner identification code qualifier	C	an	1/4	Cummins Mandatory
		Description: Qualifier referring to the source of codes for the identifiers of interchanging partners.				
		Cummins Note: Supplier EDI sender/receiver ID qualifier. These are the most common qualifiers used by the Cummins supply base. If you use another qualifier that is not listed, we require notification.				
		Code List Summary (Total Codes: 46, Included: 4)				
		Code	Name			
		1	DUNS (Data Universal Numbering System)			
			Description: Partner identification code assigned by Dun & Bradstreet.			
		01	DUNS (alternate code)			
		12	Telephone number			
			Description: Partner identification code corresponds to the partner telephone number.			
		ZZ	Mutually defined			
UNB030	S003	INTERCHANGE RECIPIENT	M	Comp		Cummins Mandatory
		Description: Identification of the recipient of the interchange.				
UNB030-010	0010	Recipient identification	M	an	1/35	Cummins Mandatory
		Description: Name or coded representation of the recipient of a data interchange.				
		Cummins Note: Cummins EDI sender/receiver ID.				
UNB030-020	0007	Partner identification code qualifier	C	an	1/4	Cummins Mandatory
		Description: Qualifier referring to the source of codes for the identifiers of interchanging partners.				
		Cummins Note: Cummins EDI sender/receiver ID qualifier.				
		Code List Summary (Total Codes: 45, Included: 3)				
		Code	Name			
		1	DUNS (Data Universal Numbering System)			
			Description: Partner identification code assigned by Dun & Bradstreet.			
		12	Telephone number			
			Description: Partner identification code corresponds to the partner telephone number.			
		ZZ	Mutually defined			
UNB040	S004	DATE/TIME OF PREPARATION	M	Comp		Cummins Mandatory

<u>Ref</u>	<u>Tag</u>	<u>Element Name</u>	<u>Status</u>	<u>Type</u>	<u>Min/Max</u>	<u>Usage</u>
		Description: Date/time of preparation of the interchange.				
UNB040-010	0017	Date of preparation	M	n	6/6	Cummins Mandatory
		Description: Local date when an interchange or a functional group was prepared.				
		Cummins Note: Date format is YYMMDD.				
UNB040-020	0019	Time of preparation	M	n	4/4	Cummins Mandatory
		Description: Local time of day when an interchange or a functional group was prepared.				
		Cummins Note: Time format is HHMM.				
UNB050	0020	Interchange control reference	M	an	1/14	Cummins Mandatory
		Description: Unique reference assigned by the sender to an interchange.				
		Cummins Note: This will be the same interchange control reference number as in the UNZ segment.				
UNB070	0026	Application reference	C	an	1/14	Cummins Optional
		Description: Identification of the application area assigned by the sender, to which the messages in the interchange relate e.g. the message identifier if all the messages in the interchange are of the same type.				

UNH MESSAGE HEADER

Pos: 0010	Max: 1
Mandatory	
Group: N/A	Elements: 2

User Option (Usage): Cummins Mandatory

Example EDI:

UNH+1+INVOIC:D:97A:UN

Element Summary:

Ref	Tag	Element Name	Status	Type	Min/Max	Usage
UNH010	0062	Message reference number	M	an	1/14	Cummins Mandatory

Description: Unique message reference assigned by the sender.

Cummins Note: This will be the same message reference number as in the UNT segment.

UNH020	S009	MESSAGE IDENTIFIER	M	Comp		Cummins Mandatory
--------	------	--------------------	---	------	--	-------------------

Description: Identification of the type, version etc. of the message being interchanged.

UNH020-010	0065	Message type identifier	M	an	1/6	Cummins Mandatory
------------	------	-------------------------	---	----	-----	-------------------

Description: Code identifying a type of message and assigned by its controlling agency.

Code List Summary (Total Codes: 145, Included: 1)

Code Name

INVOIC Invoice message

Description: A code to identify the invoice message.

UNH020-020	0052	Message type version number	M	an	1/3	Cummins Mandatory
------------	------	-----------------------------	---	----	-----	-------------------

Description: Version number of a message type.

Code List Summary (Total Codes: 7, Included: 1)

Code Name

D Draft version

Description: Message approved and issued as a draft message (Valid for directories published after March 1993 and prior to March 1997).

Message approved as a standard message (Valid for directories published after March 1997).

UNH020-030	0054	Message type release number	M	an	1/3	Cummins Mandatory
------------	------	-----------------------------	---	----	-----	-------------------

Description: Release number within the current message type version number (0052).

Code List Summary (Total Codes: 15, Included: 1)

Code Name

97A Release 1997 - A

Description: Message approved and issued in the first 1997 release of the UNTDID (United Nations Trade Data Interchange Directory).

<u>Ref</u>	<u>Tag</u>	<u>Element Name</u>	<u>Status</u>	<u>Type</u>	<u>Min/Max</u>	<u>Usage</u>
UNH020-040	0051	Controlling agency	M	an	1/2	Cummins Mandatory

Description: Code identifying the agency controlling the specification, maintenance and publication of the message type.

Code List Summary (Total Codes: 20, Included: 1)

Code Name

UN UN/ECE/TRADE/WP.4, United Nations Standard Messages (UNSM)

Description: UN Economic Commission for Europe (UN/ECE), Committee on the development of trade (TRADE), Working Party on facilitation of international trade procedures (WP.4).

BGM BEGINNING OF MESSAGE

Pos: 0020	Max: 1
Mandatory	
Group: N/A	Elements: 3

User Option (Usage): Cummins Mandatory

Example EDI:

BGM+935+1000000000000000+9
 or
 BGM+380+1000000000000000+9

Element Summary:

Ref	Tag	Element Name	Status	Type	Min/Max	Usage
BGM010	C002	DOCUMENT/MESSAGE NAME	C	Comp		Cummins Mandatory

Description: Identification of a type of document/message by code or name. Code preferred.

BGM010-010	1001	Document/message name, coded	C	an	1/3	Cummins Mandatory
------------	------	------------------------------	---	----	-----	-------------------

Description: Document/message identifier expressed in code.

Code List Summary (Total Codes: 424, Included: 2)

Code Name

380 Commercial invoice

Description: Document/message claiming payment for goods or services supplied under conditions agreed between seller and buyer.

935 Customs invoice

Description: Document/message required by the Customs in an importing country in which an exporter states the invoice or other price (e.g. selling price, price of identical goods), and specifies costs for freight, insurance and packing, etc., terms of delivery and payment, for the purpose of determining the Customs value in the importing country of goods consigned to that country.

BGM020	C106	DOCUMENT/MESSAGE IDENTIFICATION	C	Comp		Cummins Mandatory
--------	------	---------------------------------	---	------	--	-------------------

Description: Identification of a document/message by its number and eventually its version or revision.

BGM020-010	1004	Document/message number	C	an	1/35	Cummins Mandatory
------------	------	-------------------------	---	----	------	-------------------

Description: Reference number assigned to the document/message by the issuer.

Cummins Note: Invoice numbers must be unique for every invoice per Accounts Payable (AP) region and are assigned by the supplier. Duplicate invoice numbers received from the same supplier are rejected in order to avoid accidental duplication of payment.

The format of your invoice numbers must match the format used in your paper invoices. That is, if your invoice numbers are ABC-1234 for paper invoices, then your EDI invoice numbers must be the same ABC-1234 format, and not 00001234.

<u>Ref</u>	<u>Tag</u>	<u>Element Name</u>	<u>Status</u>	<u>Type</u>	<u>Min/Max</u>	<u>Usage</u>
		Also, the invoice number should not exceed a 22-character maximum. However, as Cummins upgrades to new systems, this maximum character count may change.				
BGM030	1225	Message function, coded	C	an	1/3	Cummins Mandatory

Description: Code indicating the function of the message.

Code List Summary (Total Codes: 55, Included: 1)

Code Name

9 Original

Description: Initial transmission related to a given transaction.

DTM DATE/TIME/PERIOD

Pos: 0030	Max: 35
Mandatory	
Group: N/A	Elements: 1

User Option (Usage): Cummins Mandatory

Example EDI:

DTM+3:20170510:102

Element Summary:

Ref	Tag	Element Name	Status	Type	Min/Max	Usage
DTM010	C507	DATE/TIME/PERIOD	M	Comp		Cummins Mandatory

Description: Date and/or time, or period relevant to the specified date/time/period type.

DTM010-010	2005	Date/time/period qualifier	M	an	1/3	Cummins Mandatory
------------	------	----------------------------	---	----	-----	-------------------

Description: Code giving specific meaning to a date, time or period.

Code List Summary (Total Codes: 364, Included: 1)

Code Name

3 Invoice date/time

Description: Date when a Commercial Invoice is issued.

DTM010-020	2380	Date/time/period	C	an	1/35	Cummins Mandatory
------------	------	------------------	---	----	------	-------------------

Description: The value of a date, a date and time, a time or of a period in a specified representation.

Cummins Note: Date should be sent in the following format only (CCYYMMDD)

DTM010-030	2379	Date/time/period format qualifier	C	an	1/3	Cummins Mandatory
------------	------	-----------------------------------	---	----	-----	-------------------

Description: Specification of the representation of a date, a date and time or of a period.

Code List Summary (Total Codes: 70, Included: 1)

Code Name

102 CCYYMMDD

Description: Calendar date: C = Century ; Y = Year ; M = Month ; D = Day.

Segment Group 1

Pos: 0110	Repeat: 99
Conditional	
Group: 1	Elements: N/A

User Option (Usage): Cummins Mandatory

Cummins Note:

Segment Group 1 will contain:
RFF Segments

Segment Group 1 may be repeated.

Segment Group Summary:

<u>Pos</u>	<u>Tag</u>	<u>Segment Name</u>	<u>Status</u>	<u>Rep</u>	<u>Usage</u>
0120	RFF	REFERENCE	M	1	Cummins Mandatory

RFF REFERENCE

Pos: 0120	Max: 1
Mandatory	
Group: 1	Elements: 1

User Option (Usage): Cummins Mandatory

Cummins Note:

The RFF segment in Segment Group 1 must contain the purchase order number and the packing list number. Each invoice should include information for only one packing list.

For BLANKET PURCHASE ORDERS, the PO number should ONLY be sent in this segment group.

For STANDARD PURCHASE ORDERS, the PO number should ONLY be sent in the line level RFF segment in Segment Group 29.

Example EDI:

```
RFF+ON:70000001
RFF+PK:9876543
RFF+SRN:1000000000000000
RFF+ACE:370009
```

Element Summary:

<u>Ref</u>	<u>Tag</u>	<u>Element Name</u>	<u>Status</u>	<u>Type</u>	<u>Min/Max</u>	<u>Usage</u>
RFF010	C506	REFERENCE	M	Comp		Cummins Mandatory

Description: Identification of a reference.

RFF010-010	1153	Reference qualifier	M	an	1/3	Cummins Mandatory
------------	------	---------------------	---	----	-----	-------------------

Description: Code giving specific meaning to a reference segment or a reference number.

Code List Summary (Total Codes: 504, Included: 4)

Code Name

ON Order number (purchase)

Description: [1022] Reference number assigned by the buyer to an order.

PK Packing list number

Description: (1014) Reference number assigned to a packing list, see: 1001 = 271.

NOTE: Packing slip max characters is 25.

ACE Related document number

Description: Description to be provided.

SRN Shipment reference number

Description: [1140] Reference number assigned by a consignor to a particular shipment for his own purposes or for those of the consignee.

RFF010-020	1154	Reference number	C	an	1/35	Cummins Mandatory
------------	------	------------------	---	----	------	-------------------

Ref **Tag** **Element Name** **Status** **Type** **Min/Max** **Usage**

Description: Identification number the nature and function of which can be qualified by an entry in data element 1153 Reference qualifier.

Cummins Note:

RFF010-020 Usage:

When RFF010-010 Code Equals	RFF010-020 Value Description	Usage	Max Characters allowed
PK	Packing List Number	Always required	25
ON	Purchase Order Number	<u>REQUIRED</u> for blanket purchase orders. <u>NOT</u> for standard purchase orders.	35
SRN	Shipment Reference Number	Optional	35
ACE	Related Document Number	Optional	35

Segment Group 2

Pos: 0200 Repeat: 99
 Conditional
 Group: 2 Elements: N/A

User Option (Usage): Cummins Mandatory

Cummins Note:

Segment Group 2 will be repeated for each party as follows:

There will always be two NAD segments with each INVOIC message to identify the Ship-From and the Ship-To parties.

Example EDI:

```
NAD+SF+123456CITY00++SUPPLIER NAME+STREET 1:STREET 2:STREET 3+CITY NAME+STATE+ZIP
CODE+COUNTRY
NAD+ST+123456789++SHIP TO CUSTOMER NAME+STREET 1:STREET 2:STREET 3+CITY NAME+STATE+ZIP
CODE+COUNTRY
```

Segment Group Summary:

<u>Pos</u>	<u>Tag</u>	<u>Segment Name</u>	<u>Status</u>	<u>Rep</u>	<u>Usage</u>
0210	NAD	NAME AND ADDRESS	M	1	Cummins Mandatory
0230	FII	FINANCIAL INSTITUTION INFORMATION	C	5	Cummins Optional
0240		Segment Group 3	C	9999	Cummins Optional

NAD NAME AND ADDRESS

Pos: 0210	Max: 1
Mandatory	
Group: 2	Elements: 8

User Option (Usage): Cummins Mandatory

Cummins Note:

1) The NAD+SF segment is required in order to identify the Ship-From party.

For the Ship-From segment (SF), use the supplier identification number provided to you in the DELFOR, DELJIT, or ORDERS message in the NAD020-010 Party ID element in the NAD+SU segment. This value may be different for every Cummins plant that you ship to. If you do not receive a DELFOR, DELJIT, or ORDERS message for a particular plant, you should use the sender/receiver ID for the Ship-From party.

2) The NAD+ST segment is required in order to identify the Ship-To party.

For the Ship-To segment (ST), use the Cummins defined plant identification number provided to you in the DELFOR, DELJIT, or ORDERS message in the NAD020-010 Party ID element in the NAD+ST segment. This value will be different for every Cummins plant that you ship to. If you do not receive a DELFOR, DELJIT, or ORDERS message for a particular plant, you can go to our website below to get a list of the required values.

Please refer to the Cummins website for a list of all Cummins plant Trading Partner IDs.
<https://public.cummins.com/sites/CSP/en-us/Pages/EDI-Implementation-Information.aspx>.

Example EDI:

```
NAD+SF+123456CITY00++SUPPLIER NAME+STREET 1:STREET 2:STREET 3+CITY NAME+STATE+ZIP
CODE+COUNTRY
NAD+ST+123456789++SHIP TO CUSTOMER NAME+STREET 1:STREET 2:STREET 3+CITY NAME+STATE+ZIP
CODE+COUNTRY
```

Element Summary:

<u>Ref</u>	<u>Tag</u>	<u>Element Name</u>	<u>Status</u>	<u>Type</u>	<u>Min/Max</u>	<u>Usage</u>
NAD010	3035	Party qualifier	M	an	1/3	Cummins Mandatory

Description: Code giving specific meaning to a party.

Cummins Note: All invoices must have two NAD segments:

One to identify the Ship-From (SF) and one to identify the Ship-To (ST).

Code List Summary (Total Codes: 325, Included: 2)

Code Name

SF Ship from

Description: Identification of the party from where goods will be or have been shipped.

ST Ship to

Description: Identification of the party to where goods will be or have been shipped.

NAD020	C082	PARTY IDENTIFICATION DETAILS	C	Comp		Cummins Mandatory
--------	------	-------------------------------------	---	------	--	-------------------

<u>Ref</u>	<u>Tag</u>	<u>Element Name</u>	<u>Status</u>	<u>Type</u>	<u>Min/Max</u>	<u>Usage</u>
NAD020-010	3039	Party id. identification	M	an	1/35	Cummins Mandatory

Description: Identification of a transaction party by code.

Description: Code identifying a party involved in a transaction.

Cummins Note:

1) The NAD+SF segment is required in order to identify the Ship-From party.

For the Ship-From segment (SF), use the supplier identification number provided to you in the DELFOR, DELJIT, or ORDERS message in the NAD020-010 Party ID element in the NAD+SU segment. This value may be different for every Cummins plant that you ship to. If you do not receive a DELFOR, DELJIT, or ORDERS message for a particular plant, you should use the sender/receiver ID for the Ship-From party.

2) The NAD+ST segment is required in order to identify the Ship-To party.

For the Ship-To segment (ST), use the Cummins defined plant identification number provided to you in the DELFOR, DELJIT, or ORDERS message in the NAD020-010 Party ID element in the NAD+ST segment. This value will be different for every Cummins plant that you ship to. If you do not receive a DELFOR, DELJIT, or ORDERS message for a particular plant, you can go to our website below to get a list of the required values.

Please refer to the Cummins website for a list of all Cummins plant Trading Partner IDs.

<https://public.cummins.com/sites/CSP/en-us/Pages/EDI-Implementation-Information.aspx>.

NAD040	C080	PARTY NAME	C	Comp		Cummins Mandatory
--------	------	-------------------	---	------	--	-------------------

Description: Identification of a transaction party by name, one to five lines. Party name may be formatted.

NAD040-010	3036	Party name	M	an	1/35	Cummins Mandatory
------------	------	-------------------	---	----	------	-------------------

Description: Name of a party involved in a transaction.

Cummins Note:

1) The NAD+SF segment is required in order to identify the Ship-From party.

For the Ship-From segment (SF), use the supplier name provided to you in the DELFOR, DELJIT, or ORDERS message in the NAD040-010 Party ID element in the NAD+SU segment. If you do not receive a DELFOR, DELJIT, or ORDERS message for a particular plant, you should use the supplier name as it is provided on the Cummins purchase order.

<u>Ref</u>	<u>Tag</u>	<u>Element Name</u>	<u>Status</u>	<u>Type</u>	<u>Min/Max</u>	<u>Usage</u>
		<p>2) The NAD+ST segment is required in order to identify the Ship-To party.</p> <p>For the Ship-To segment (ST), use the Cummins plant name provided to you in the DELFOR, DELJIT, or ORDERS message in the NAD040-010 Party ID element in the NAD+ST segment. If you do not receive a DELFOR, DELJIT, or ORDERS message for a particular plant, you should use the Cummins Ship-To plant name as it is provided on the Cummins purchase order.</p>				
NAD050	C059	STREET	C	Comp		Cummins Optional
		<p>Description: Street address and/or PO Box number in a structured address: one to three lines.</p>				
NAD050-010	3042	Street and number/p.o. box	M	an	1/35	Cummins Optional
		<p>Description: Street and number in plain language, or Post Office Box No.</p>				
NAD050-020	3042	Street and number/p.o. box	C	an	1/35	Cummins Optional
		<p>Description: Street and number in plain language, or Post Office Box No.</p>				
NAD050-030	3042	Street and number/p.o. box	C	an	1/35	Cummins Optional
		<p>Description: Street and number in plain language, or Post Office Box No.</p>				
NAD060	3164	City name	C	an	1/35	Cummins Optional
		<p>Description: Name of a city (a town, a village) for addressing purposes.</p>				
NAD070	3229	Country sub-entity identification	C	an	1/9	Cummins Optional
		<p>Description: Identification of the name of sub-entities (state, province) defined by appropriate governmental agencies.</p> <p>Cummins Note: 2 characters used for state/province abbreviation.</p>				
NAD080	3251	Postcode identification	C	an	1/9	Cummins Optional
		<p>Description: Code defining postal zones or addresses.</p> <p>Cummins Note: Maximum of 9 characters. Either include only the first 5 digits of the zip code, or do not include a dash.</p> <p>For example, zip code 12345-6789 should be sent as 12345 or 123456789.</p>				
NAD090	3207	Country, coded	C	an	1/3	Cummins Optional
		<p>Description: Identification of the name of a country or other geographical entity as specified in ISO 3166.</p> <p>Cummins Note: 2 character country code. See ISO Code 3166 for complete listing (www.iso.org).</p>				

FII FINANCIAL INSTITUTION INFORMATION

Pos: 0230	Max: 5
Conditional	
Group: 2	Elements: 3

User Option (Usage): Cummins Optional

Cummins Note:

FII+SE+123456789:Account Holder Name+:::::JP Morgan

Element Summary:

Ref	Tag	Element Name	Status	Type	Min/Max	Usage
FII010	3035	Party qualifier	M	an	1/3	Cummins Mandatory

Description: Code giving specific meaning to a party.

Code List Summary (Total Codes: 325, Included: 1)

Code Name

SE Seller

Description: (3346) Party selling merchandise to a buyer.

FII020	C078	ACCOUNT IDENTIFICATION	C	Comp		Cummins Optional
--------	------	------------------------	---	------	--	------------------

Description: Identification of an account holder by account number and/or account holder name in one or two lines. Number preferred.

FII020-010	3194	Account holder number	C	an	1/35	Cummins Optional
------------	------	-----------------------	---	----	------	------------------

Description: Account number of the holder of the account.

FII020-020	3192	Account holder name	C	an	1/35	Cummins Optional
------------	------	---------------------	---	----	------	------------------

Description: Name of the holder of the account.

FII020-030	3192	Account holder name	C	an	1/35	Cummins Optional
------------	------	---------------------	---	----	------	------------------

Description: Name of the holder of the account.

FII020-040	6345	Currency, coded	C	an	1/3	Cummins Optional
------------	------	-----------------	---	----	-----	------------------

Description: Identification of the name or symbol of the monetary unit involved in the transaction.

FII030	C088	INSTITUTION IDENTIFICATION	C	Comp		Cummins Optional
--------	------	----------------------------	---	------	--	------------------

Description: Identification of a financial institution by code branch number, or name and name of place. Code or branch number preferred.

FII030-010	3433	Institution name identification	C	an	1/11	Cummins Optional
------------	------	---------------------------------	---	----	------	------------------

Description: Code identifying an institution.

FII030-020	1131	Code list qualifier	C	an	1/3	Cummins Optional
------------	------	---------------------	---	----	-----	------------------

<u>Ref</u>	<u>Tag</u>	<u>Element Name</u>	<u>Status</u>	<u>Type</u>	<u>Min/Max</u>	<u>Usage</u>
		Description: Identification of a code list. Code List Summary (Total Codes: 123, Included: 1) <u>Code Name</u> 167 Tax party identification Description: Code assigned by a tax authority to identify a party.				
FII030-070	3432	Institution name	C	an	1/70	Cummins Optional
		Description: Name of an institution.				

Segment Group 3

Pos: 0240	Repeat: 9999
Conditional	
Group: 3	Elements: N/A

User Option (Usage): Cummins Optional

Cummins Note:

FOR INVOICES TO CBS BELGIUM ONLY:

Segment Group 3 will be repeated for each NAD+SF and NAD+ST segment as follows:

There will always be two RFF+VA segments with each INVOIC message to identify the Ship-From and the Ship-To VAT registration identification numbers.

Example EDI:

```
NAD+SF+123456CITY00++SUPPLIER NAME+STREET 1:STREET 2:STREET 3+CITY NAME+STATE+ZIP
CODE+COUNTRY
RFF+VA:SHIP-FROM VAT REGISTRATION ID
NAD+ST+123456789++SHIP TO CUSTOMER NAME+STREET 1:STREET 2:STREET 3+CITY NAME+STATE+ZIP
CODE+COUNTRY
RFF+VA:SHIP-TO VAT REGISTRATION ID
```

Segment Group Summary:

<u>Pos</u>	<u>Tag</u>	<u>Segment Name</u>	<u>Status</u>	<u>Rep</u>	<u>Usage</u>
0250	RFF	REFERENCE	M	1	Cummins Mandatory

RFF REFERENCE

Pos: 0250	Max: 1
Mandatory	
Group: 3	Elements: 1

User Option (Usage): Cummins Mandatory

Cummins Note:

REQUIRED FOR INVOICES WITH VAT TAX:

There will always be two RFF+VA segments with each INVOIC message to identify the Ship-From and the Ship-To VAT registration identification numbers.

Example EDI:

```
NAD+SF+123456CITY00++SUPPLIER NAME+STREET 1:STREET 2:STREET 3+CITY NAME+STATE+ZIP
CODE+COUNTRY
RFF+VA:SE987654321
NAD+ST+123456789++SHIP TO CUSTOMER NAME+STREET 1:STREET 2:STREET 3+CITY NAME+STATE+ZIP
CODE+COUNTRY
RFF+VA:BE0428096632
```

Element Summary:

<u>Ref</u>	<u>Tag</u>	<u>Element Name</u>	<u>Status</u>	<u>Type</u>	<u>Min/Max</u>	<u>Usage</u>
RFF010	C506	REFERENCE	M	Comp		Cummins Mandatory

Description: Identification of a reference.

RFF010-010	1153	Reference qualifier	M	an	1/3	Cummins Mandatory
------------	------	----------------------------	---	----	-----	-------------------

Description: Code giving specific meaning to a reference segment or a reference number.

Code List Summary (Total Codes: 504, Included: 1)

Code Name

VA VAT registration number

Description: Unique number assigned by the relevant tax authority to identify a party for use in relation to Value Added Tax (VAT).

RFF010-020	1154	Reference number	C	an	1/35	Cummins Mandatory
------------	------	-------------------------	---	----	------	-------------------

Description: Identification number the nature and function of which can be qualified by an entry in data element 1153 Reference qualifier.

Segment Group 7

Pos: 0370	Repeat: 5
Conditional	
Group: 7	Elements: N/A

User Option (Usage): Cummins Mandatory

Segment Group Summary:

<u>Pos</u>	<u>Tag</u>	<u>Segment Name</u>	<u>Status</u>	<u>Rep</u>	<u>Usage</u>
0380	CUX	CURRENCIES	M	1	Cummins Mandatory

CUX CURRENCIES

Pos: 0380	Max: 1
Mandatory	
Group: 7	Elements: 1

User Option (Usage): Cummins Mandatory

Example EDI:

CUX+1:USD

Element Summary:

<u>Ref</u>	<u>Tag</u>	<u>Element Name</u>	<u>Status</u>	<u>Type</u>	<u>Min/Max</u>	<u>Usage</u>
CUX010	C504	CURRENCY DETAILS	C	Comp		Cummins Mandatory

Description: The usage to which a currency relates.

CUX010-010	6347	Currency details qualifier	M	an	1/3	Cummins Mandatory
------------	------	----------------------------	---	----	-----	-------------------

Description: Specification of the usage to which the currency relates.

Code List Summary (Total Codes: 7, Included: 1)

Code Name

1 Charge payment currency

Description: The currency in which charges are to be paid.

CUX010-020	6345	Currency, coded	C	an	1/3	Cummins Mandatory
------------	------	-----------------	---	----	-----	-------------------

Description: Identification of the name or symbol of the monetary unit involved in the transaction.

Cummins Note: Currency code. See ISO Code 4217 for complete listing (www.iso.org).

Segment Group 25

Pos: 1030	Repeat: 9999999
Conditional	
Group: 25	Elements: N/A

User Option (Usage): Cummins Mandatory

Cummins Note:

Segment Group 25 will be repeated for each item being invoiced.

Segment Group 25 will contain:

- LIN Segment
- PIA Segments
- IMD Segment
- QTY Segment
- ALI Segment
- FTX Segment
- Segment Group 26: MOA Segment
- Segment Group 28: PRI Segment
- Segment Group 29: RFF Segments containing the Purchase Order number and Release number
- Segment Group 33: TAX and MOA segments

Segment Group Summary:

<u>Pos</u>	<u>Tag</u>	<u>Segment Name</u>	<u>Status</u>	<u>Rep</u>	<u>Usage</u>
1040	LIN	LINE ITEM	M	1	Cummins Mandatory
1050	PIA	ADDITIONAL PRODUCT ID	C	25	Cummins Optional
1060	IMD	ITEM DESCRIPTION	C	10	Cummins Mandatory
1080	QTY	QUANTITY	C	5	Cummins Mandatory
1100	ALI	ADDITIONAL INFORMATION	C	5	Cummins Mandatory
1160	FTX	FREE TEXT	C	5	Cummins Optional
1180		Segment Group 26	C	10	Cummins Mandatory
1260		Segment Group 28	C	25	Cummins Mandatory
1320		Segment Group 29	C	10	Cummins Optional
1480		Segment Group 33	C	99	Cummins Optional

LIN LINE ITEM

Pos: 1040	Max: 1
Mandatory	
Group: 25	Elements: 2

User Option (Usage): Cummins Mandatory

Cummins Note:

If release numbers ARE NOT being used, each part number may be used only once in the message.

If release numbers ARE being used, a particular part number should be repeated for each unique release number being invoiced. See example EDI below.

Example EDI:

Release numbers ARE NOT being used:

```

LIN+1++PART NUMBER 1:IN
IMD+F+:::ITEM DESCRIPTION
QTY+12:300:EA
ALI+US
MOA+203:2535.00
PRI+INV:25.35
RFF+ON: 70000001
    
```

Release numbers ARE being used:

```

LIN+1++PART NUMBER 1:IN
IMD+F+:::ITEM DESCRIPTION
QTY+12:100:EA
ALI+US
MOA+203:2535.00
PRI+INV:25.35
RFF+ON:70000001
RFF+RE: 1
LIN+2++PART NUMBER 1:IN
IMD+F+:::ITEM DESCRIPTION
QTY+12:200:EA
ALI+US
MOA+203:2535.00
PRI+INV:25.35
RFF+ON:70000001
RFF+RE:2
    
```

Element Summary:

<u>Ref</u>	<u>Tag</u>	<u>Element Name</u>	<u>Status</u>	<u>Type</u>	<u>Min/Max</u>	<u>Usage</u>
LIN010	1082	Line item number	C	an	1/6	Cummins Mandatory

Description: Serial number designating each separate item within a series of articles.

Cummins Note: A sequential number beginning with 1, and incrementing by 1, for each part number within this invoice message.

<u>Ref</u>	<u>Tag</u>	<u>Element Name</u>	<u>Status</u>	<u>Type</u>	<u>Min/Max</u>	<u>Usage</u>
LIN030	C212	ITEM NUMBER IDENTIFICATION	C	Comp		Cummins Mandatory
		Description: Goods identification for a specified source.				
LIN030-010	7140	Item number	C	an	1/35	Cummins Mandatory
		Description: A number allocated to a group or item.				
		Cummins Note: Use the Cummins assigned part number from the Purchase Order (PO).				
		If this is for an indirect PO and there is no part number, then use the part description.				
LIN030-020	7143	Item number type, coded	C	an	1/3	Cummins Mandatory
		Description: Identification of the type of item number.				
		Code List Summary (Total Codes: 86, Included: 1)				
		<u>Code</u>	<u>Name</u>			
		IN	Buyer's item number			
			Description: Self explanatory.			

PIA ADDITIONAL PRODUCT ID

Pos: 1050	Max: 25
Conditional	
Group: 25	Elements: 2

User Option (Usage): Cummins Optional

Example EDI:

PIA+1+1111111:VP
or
PIA+1+0000123456:HS

Element Summary:

<u>Ref</u>	<u>Tag</u>	<u>Element Name</u>	<u>Status</u>	<u>Type</u>	<u>Min/Max</u>	<u>Usage</u>
PIA010	4347	Product id. function qualifier	M	an	1/3	Cummins Mandatory

Description: Indication of the function of the product code.

Code List Summary (Total Codes: 9, Included: 1)

Code Name

1 Additional identification

Description: Information which specifies and qualifies product identifications.

PIA020	C212	ITEM NUMBER IDENTIFICATION	M	Comp		Cummins Mandatory
--------	------	----------------------------	---	------	--	-------------------

Description: Goods identification for a specified source.

PIA020-010	7140	Item number	C	an	1/35	Cummins Mandatory
------------	------	-------------	---	----	------	-------------------

Description: A number allocated to a group or item.

PIA020-020	7143	Item number type, coded	C	an	1/3	Cummins Mandatory
------------	------	-------------------------	---	----	-----	-------------------

Description: Identification of the type of item number.

Code List Summary (Total Codes: 86, Included: 2)

Code Name

HS Harmonised system

Description: The Harmonized Commodity Description and Coding System, also known as the Harmonized System (HS) of tariff nomenclature is an internationally standardized system of names and numbers to classify traded products.

VP Vendor's (seller's) part number

Description: Reference number assigned by a vendor/seller identifying an article.

IMD ITEM DESCRIPTION

Pos: 1060	Max: 10
Conditional	
Group: 25	Elements: 2

User Option (Usage): Cummins Mandatory

Example EDI:

IMD+F++:::ITEM DESCRIPTION

Element Summary:

<u>Ref</u>	<u>Tag</u>	<u>Element Name</u>	<u>Status</u>	<u>Type</u>	<u>Min/Max</u>	<u>Usage</u>
IMD010	7077	Item description type, coded	C	an	1/3	Cummins Optional

Description: Code indicating the format of a description.

Code List Summary (Total Codes: 8, Included: 1)

Code Name

F Free-form

Description: Self explanatory.

IMD030	C273	ITEM DESCRIPTION	C	Comp		Cummins Mandatory
--------	------	------------------	---	------	--	----------------------

Description: Description of an item.

IMD030-040	7008	Item description	C	an	1/35	Cummins Mandatory
------------	------	------------------	---	----	------	----------------------

Description: Plain language description of articles or products.

Cummins Note: Use the Cummins part description from the DELFOR, DELJIT, or ORDERS message. If you do not receive EDI, use the Cummins part description on the Purchase Order.

QTY QUANTITY

Pos: 1080	Max: 5
Conditional	
Group: 25	Elements: 1

User Option (Usage): Cummins Mandatory

Example EDI:

QTY+47:100:EA

Element Summary:

Ref	Tag	Element Name	Status	Type	Min/Max	Usage
QTY010	C186	QUANTITY DETAILS	M	Comp		Cummins Mandatory

Description: Quantity information in a transaction, qualified when relevant.

QTY010-010	6063	Quantity qualifier	M	an	1/3	Cummins Mandatory
------------	------	--------------------	---	----	-----	-------------------

Description: Code giving specific meaning to a quantity.

Code List Summary (Total Codes: 199, Included: 1)

Code Name

47 Invoiced quantity

Description: The quantity as per invoice.

QTY010-020	6060	Quantity	M	n	1/15	Cummins Mandatory
------------	------	----------	---	---	------	-------------------

Description: Numeric value of a quantity.

Cummins Note: Number of units invoiced (up to ten decimal places allowed).

QTY010-030	6411	Measure unit qualifier	C	an	1/3	Cummins Mandatory
------------	------	------------------------	---	----	-----	-------------------

Description: Indication of the unit of measurement in which weight (mass), capacity, length, area, volume or other quantity is expressed.

Cummins Note: This should be the same unit of measure provided on the Purchase Order.

ALI ADDITIONAL INFORMATION

Pos: 1100	Max: 5
Conditional	
Group: 25	Elements: 1

User Option (Usage): Cummins Mandatory

Example EDI:

ALI+CA

Element Summary:

<u>Ref</u>	<u>Tag</u>	<u>Element Name</u>	<u>Status</u>	<u>Type</u>	<u>Min/Max</u>	<u>Usage</u>
ALI010	3239	Country of origin, coded	C	an	1/3	Cummins Mandatory

Description: Country in which the goods have been produced or manufactured, according to criteria laid down for the purposes of application of the Customs tariff, of quantitative restrictions, or of any other measure related to trade.

Cummins Note: Provide the 2-character code of the country of origin for the place of manufacture. See ISO Code 3166 for complete listing (www.iso.org).

FTX FREE TEXT

Pos: 1160	Max: 5
Conditional	
Group: 25	Elements: 3

User Option (Usage): Cummins Optional

Cummins Note:

REQUIRED FOR INVOICES TO CBS BELGIUM WITH VAT TAX:

This will be used as a free text field to indicate 0% tax exemption code mandated by Belgium tax laws. This field is required when applying 0% VAT tax to an item.

OPTIONAL FOR INVOICES TO ANY OTHER CBS REGION:

This field can be used as an optional free text field for other regions using VAT tax.

Example EDI:

FTX+TXD+3++EXEMPTION FREE TEXT

Element Summary:

<u>Ref</u>	<u>Tag</u>	<u>Element Name</u>	<u>Status</u>	<u>Type</u>	<u>Min/Max</u>	<u>Usage</u>
FTX010	4451	Text subject qualifier	M	an	1/3	Cummins Mandatory
		Description: Code specifying subject of a free text.				
		Code List Summary (Total Codes: 189, Included: 1)				
		<u>Code</u>	<u>Name</u>			
		TXD	Tax declaration			
		Description: Description to be provided.				
FTX020	4453	Text function, coded	C	an	1/3	Cummins Mandatory
		Description: Code specifying how to handle the text.				
		Code List Summary (Total Codes: 4, Included: 1)				
		<u>Code</u>	<u>Name</u>			
		3	Text for immediate use			
		Description: Text must be read before actioning message.				
FTX040	C108	TEXT LITERAL	C	Comp		Cummins Mandatory
		Description: Free text; one to five lines.				
FTX040-010	4440	Free text	M	an	1/70	Cummins Mandatory
		Description: Free text field available to the message sender for information.				

Segment Group 26

Pos: 1180	Repeat: 10
Conditional	
Group: 26	Elements: N/A

User Option (Usage): Cummins Mandatory

Segment Group Summary:

<u>Pos</u>	<u>Tag</u>	<u>Segment Name</u>	<u>Status</u>	<u>Rep</u>	<u>Usage</u>
1190	MOA	MONETARY AMOUNT	M	1	Cummins Mandatory

MOA MONETARY AMOUNT

Pos: 1190	Max: 1
Mandatory	
Group: 26	Elements: 1

User Option (Usage): Cummins Mandatory

Example EDI:

MOA+203:2535.00008

Element Summary:

<u>Ref</u>	<u>Tag</u>	<u>Element Name</u>	<u>Status</u>	<u>Type</u>	<u>Min/Max</u>	<u>Usage</u>
MOA010	C516	MONETARY AMOUNT	M	Comp		Cummins Mandatory

Description: Amount of goods or services stated as a monetary amount in a specified currency.

MOA010-010	5025	Monetary amount type qualifier	M	an	1/3	Cummins Mandatory
------------	------	--------------------------------	---	----	-----	-------------------

Description: Indication of type of amount.

Code List Summary (Total Codes: 360, Included: 1)

Code Name

203 Line item amount

Description: Goods item total minus allowances plus charges for line item. See also Code 66.

MOA010-020	5004	Monetary amount	C	n	1/18	Cummins Mandatory
------------	------	-----------------	---	---	------	-------------------

Description: Number of monetary units.

Cummins Note: Line item amount (5 decimal places).

Segment Group 28

Pos: 1260	Repeat: 25
Conditional	
Group: 28	Elements: N/A

User Option (Usage): Cummins Mandatory

Segment Group Summary:

<u>Pos</u>	<u>Tag</u>	<u>Segment Name</u>	<u>Status</u>	<u>Rep</u>	<u>Usage</u>
1270	PRI	PRICE DETAILS	M	1	Cummins Mandatory

PRI PRICE DETAILS

Pos: 1270	Max: 1
Mandatory	
Group: 28	Elements: 1

User Option (Usage): Cummins Mandatory

Example EDI:

PRI+INV:25.35

Element Summary:

<u>Ref</u>	<u>Tag</u>	<u>Element Name</u>	<u>Status</u>	<u>Type</u>	<u>Min/Max</u>	<u>Usage</u>
PRI010	C509	PRICE INFORMATION	C	Comp		Cummins Mandatory

Description: Identification of price type, price and related details.

PRI010-010	5125	Price qualifier	M	an	1/3	Cummins Mandatory
------------	------	-----------------	---	----	-----	-------------------

Description: Identification of a type of price.

Code List Summary (Total Codes: 10, Included: 1)

Code Name

INV Invoice price

Description: Referenced price taken from an invoice.

PRI010-020	5118	Price	C	n	1/15	Cummins Mandatory
------------	------	-------	---	---	------	-------------------

Description: The monetary value associated with a purchase or sale of an article, product or service.

Cummins Note: Unit price (5 decimal places).

Segment Group 29

Pos: 1320	Repeat: 10
Conditional	
Group: 29	Elements: N/A

User Option (Usage): Cummins Optional

Cummins Note:

Segment Group 29 will contain:
RFF Segments

Segment Group 29 may be repeated.

Segment Group Summary:

<u>Pos</u>	<u>Tag</u>	<u>Segment Name</u>	<u>Status</u>	<u>Rep</u>	<u>Usage</u>
1330	RFF	REFERENCE	M	1	Cummins Mandatory

RFF REFERENCE

Pos: 1330	Max: 1
Mandatory	
Group: 29	Elements: 1

User Option (Usage): Cummins Mandatory

Cummins Note:

The RFF+ON segment, identifying the purchase order number, should ONLY BE USED within this segment group for standard purchase orders or if directed otherwise by CBS Accounts Payable.

The RFF+RE segment is REQUIRED if the plant sends release numbers in the DELFOR, DELJIT, or ORDERS message. If release numbers are being used, a particular part number should be repeated for each unique release number being shipped. Only one RFF+RE is allowed per line item segment. The release number will always be a numeric value.

Example EDI:

Release numbers ARE NOT being used:

```
LIN+1++PART NUMBER 1:IN
IMD+F+:::ITEM DESCRIPTION
QTY+12:300:EA
ALI+US
MOA+203:2535.00
PRI+INV:25.35
RFF+ON:70000001
```

Release numbers ARE being used:

```
LIN+1++PART NUMBER 1:IN
IMD+F+:::ITEM DESCRIPTION
QTY+12:100:EA
ALI+US
MOA+203:2535.00
PRI+INV:25.35
RFF+ON:70000001
RFF+RE:1
LIN+2++PART NUMBER 1:IN
IMD+F+:::ITEM DESCRIPTION
QTY+12:200:EA
ALI+US
MOA+203:2535.00
PRI+INV:25.35
RFF+ON:70000001
RFF+RE:2
```

Element Summary:

<u>Ref</u>	<u>Tag</u>	<u>Element Name</u>	<u>Status</u>	<u>Type</u>	<u>Min/Max</u>	<u>Usage</u>
RFF010	C506	REFERENCE	M	Comp		Cummins Mandatory

Description: Identification of a reference.

<u>Ref</u>	<u>Tag</u>	<u>Element Name</u>	<u>Status</u>	<u>Type</u>	<u>Min/Max</u>	<u>Usage</u>
RFF010-010	1153	Reference qualifier	M	an	1/3	Cummins Mandatory

Description: Code giving specific meaning to a reference segment or a reference number.

Code List Summary (Total Codes: 504, Included: 2)

Code Name

ON Order number (purchase)

Description: Reference number assigned by the buyer to an order.

RE Release number

Description: Reference number assigned to identify a release of a set of rules, conventions, conditions, etc.

RFF010-020	1154	Reference number	C	an	1/35	Cummins Mandatory
------------	------	------------------	---	----	------	-------------------

Description: Identification number the nature and function of which can be qualified by an entry in data element 1153 Reference qualifier.

Cummins Note:

RFF010-020 Usage:

When RFF010-010 Code Equals	RFF010-020 Value Description	Usage
ON	Purchase Order Number	<u>OPTIONAL</u> for standard purchase orders. <u>SHOULD NOT</u> be used for blanket purchase orders.
RE	Release Number	Required only if RFF+RE is sent in the DELFOR, DELJIT, or ORDERS message. Numeric only.

Segment Group 33

Pos: 1480	Repeat: 99
Conditional	
Group: 33	Elements: N/A

User Option (Usage): Cummins Optional

Cummins Note:

FOR INVOICES TO CBS BELGIUM WITH VAT TAX:

Segment Group 33 will be repeated for each item being invoiced and will contain the tax rate, tax identification code, and the taxable amount.

Example EDI:

TAX+7+VAT+++::TAX RATE++TAX ID CODE
 MOA+125:TAXABLE AMOUNT

Segment Group Summary:

<u>Pos</u>	<u>Tag</u>	<u>Segment Name</u>	<u>Status</u>	<u>Rep</u>	<u>Usage</u>
1490	TAX	DUTY/TAX/FEE DETAILS	M	1	Cummins Mandatory
1500	MOA	MONETARY AMOUNT	C	1	Cummins Mandatory

TAX DUTY/TAX/FEE DETAILS

Pos: 1490	Max: 1
Mandatory	
Group: 33	Elements: 4

User Option (Usage): Cummins Mandatory

Cummins Note:

FOR INVOICES TO CBS BELGIUM WITH VAT TAX:

Include the tax rate and the tax identification code for the specific item.

Example EDI:

TAX+7+VAT+++:::20++GB123456789

Element Summary:

Ref	Tag	Element Name	Status	Type	Min/Max	Usage
TAX010	5283	Duty/tax/fee function qualifier	M	an	1/3	Cummins Mandatory

Description: Code identifying the function of an duty, tax or fee information.

Code List Summary (Total Codes: 8, Included: 1)

Code Name

7 Tax

Description: Contribution levied by an authority.

TAX020	C241	DUTY/TAX/FEE TYPE	C	Comp		Cummins Mandatory
--------	------	-------------------	---	------	--	-------------------

Description: Code and/or name identifying duty, tax or fee.

TAX020-010	5153	Duty/tax/fee type, coded	C	an	1/3	Cummins Mandatory
------------	------	--------------------------	---	----	-----	-------------------

Description: Identification of the type of duty or tax or fee applicable to commodities or of tax applicable to services.

Code List Summary (Total Codes: 45, Included: 1)

Code Name

VAT Value added tax

Description: A tax on domestic or imported goods applied to the value added at each stage in the production/distribution cycle.

TAX050	C243	DUTY/TAX/FEE DETAIL	C	Comp		Cummins Mandatory
--------	------	---------------------	---	------	--	-------------------

Description: Rate of duty/tax/fee applicable to commodities or of tax applicable to services.

TAX050-040	5278	Duty/tax/fee rate	C	an	1/17	Cummins Mandatory
------------	------	-------------------	---	----	------	-------------------

Description: Rate of duty or tax or fee applicable to commodities or of tax applicable to services.

Cummins Note: This would be the tax rate for the specific item.

TAX070	3446	Party tax identification number	C	an	1/20	Cummins Mandatory
--------	------	---------------------------------	---	----	------	-------------------

<u>Ref</u>	<u>Tag</u>	<u>Element Name</u>	<u>Status</u>	<u>Type</u>	<u>Min/Max</u>	<u>Usage</u>
------------	------------	---------------------	---------------	-------------	----------------	--------------

Description: Number assigned to a purchaser (buyer, orderer) by a tax jurisdiction(state, country, etc).

MOA MONETARY AMOUNT

Pos: 1500	Max: 1
Conditional	
Group: 33	Elements: 1

User Option (Usage): Cummins Mandatory

Example EDI:

MOA+125:1000.00008

Element Summary:

<u>Ref</u>	<u>Tag</u>	<u>Element Name</u>	<u>Status</u>	<u>Type</u>	<u>Min/Max</u>	<u>Usage</u>
MOA010	C516	MONETARY AMOUNT	M	Comp		Cummins Mandatory

Description: Amount of goods or services stated as a monetary amount in a specified currency.

MOA010-010	5025	Monetary amount type qualifier	M	an	1/3	Cummins Mandatory
------------	------	--------------------------------	---	----	-----	-------------------

Description: Indication of type of amount.

Code List Summary (Total Codes: 360, Included: 1)

Code Name

125 Taxable amount

Description: Self explanatory.

MOA010-020	5004	Monetary amount	C	n	1/18	Cummins Mandatory
------------	------	-----------------	---	---	------	-------------------

Description: Number of monetary units.

Cummins Note: Line item taxable amount (5 decimal places).

UNS SECTION CONTROL

Pos: 2090	Max: 1
Mandatory	
Group: N/A	Elements: 1

User Option (Usage): Cummins Mandatory

Example EDI:

UNS+S

Element Summary:

<u>Ref</u>	<u>Tag</u>	<u>Element Name</u>	<u>Status</u>	<u>Type</u>	<u>Min/Max</u>	<u>Usage</u>
UNS010	0081	Section identification	M	a	1/1	Cummins Mandatory

Description: A character identifying the next section in a message.

Code List Summary (Total Codes: 2, Included: 1)

Code Name

S Detail/summary section separation

Description: To qualify the segment UNS, when separating the detail from the summary section of a message.

Segment Group 49

Pos: 2110	Repeat: 100
Mandatory	
Group: 49	Elements: N/A

User Option (Usage): Cummins Mandatory

Segment Group Summary:

<u>Pos</u>	<u>Tag</u>	<u>Segment Name</u>	<u>Status</u>	<u>Rep</u>	<u>Usage</u>
2120	MOA	MONETARY AMOUNT	M	1	Cummins Mandatory

MOA MONETARY AMOUNT

Pos: 2120	Max: 1
Mandatory	
Group: 49	Elements: 1

User Option (Usage): Cummins Mandatory

Cummins Note:

All invoices will have two MOA segments in Segment Group 49:
 One to identify the invoice line item total (MOA+77) and one to identify the invoice total (MOA+39).

1) The MOA+77 segment is required in order to identify the invoice line item total.

The invoice line item total will be the sum of all MOA+203 segments that appear in Segment Group 26.

2) The MOA+39 segment is required in order to identify the invoice total.

The invoice total will be the sum of the MOA+77 and all taxes and additional charges that appear in Segment Groups 51 and 52. This will be the total amount due.

Example EDI:

MOA+77:2535.00
 MOA+39:2535.00

Element Summary:

<u>Ref</u>	<u>Tag</u>	<u>Element Name</u>	<u>Status</u>	<u>Type</u>	<u>Min/Max</u>	<u>Usage</u>
MOA010	C516	MONETARY AMOUNT	M	Comp		Cummins Mandatory
Description: Amount of goods or services stated as a monetary amount in a specified currency.						
MOA010-010	5025	Monetary amount type qualifier	M	an	1/3	Cummins Mandatory
Description: Indication of type of amount.						
Code List Summary (Total Codes: 360, Included: 2)						
Code Name						
39 Invoice total amount						
Description: Total sum charged in respect of one or more Invoices in accordance with the terms of delivery.						
77 Invoice amount						
Description: Total sum charged in respect of a single Invoice in accordance with the terms of delivery.						
MOA010-020	5004	Monetary amount	C	n	1/18	Cummins Mandatory
Description: Number of monetary units.						

Cummins Note: All invoices will have two MOA segments in Segment Group 49:
 One to identify the invoice line item total (MOA+77) and one to identify the invoice total (MOA+39).

<u>Ref</u>	<u>Tag</u>	<u>Element Name</u>	<u>Status</u>	<u>Type</u>	<u>Min/Max</u>	<u>Usage</u>
------------	------------	---------------------	---------------	-------------	----------------	--------------

Segment Group 51

Pos: 2160	Repeat: 10
Conditional	
Group: 51	Elements: N/A

User Option (Usage): Cummins Optional

Cummins Note:

If you are not charging tax on your invoice, then do not include Segment Group 51, but THIS SEGMENT GROUP IS REQUIRED FOR COUNTRIES THAT ARE REQUIRED TO CHARGE VAT TAX.

Segment Group 51 will contain:

TAX Segment

MOA Segment

Segment Group 51 will be repeated for each unique tax rate and tax code combination.

Example EDI:

TAX+7+VAT+++::TAX RATE++TAX ID CODE
 MOA+150:TAX AMOUNT
 MOA+57:EQUIVALENT AMOUNT

Segment Group Summary:

<u>Pos</u>	<u>Tag</u>	<u>Segment Name</u>	<u>Status</u>	<u>Rep</u>	<u>Usage</u>
2170	TAX	DUTY/TAX/FEE DETAILS	M	1	Cummins Mandatory
2180	MOA	MONETARY AMOUNT	C	2	Cummins Mandatory

TAX DUTY/TAX/FEE DETAILS

Pos: 2170	Max: 1
Mandatory	
Group: 51	Elements: 5

User Option (Usage): Cummins Mandatory

Cummins Note:

SEGMENT IS REQUIRED FOR COUNTRIES THAT ARE REQUIRED TO CHARGE VAT TAX:

However for invoices to CBS Belgium, this segment should repeat for each unique tax rate and tax code.

Example EDI:

TAX+7+VAT+++:::20++GB123456789

Element Summary:

Ref	Tag	Element Name	Status	Type	Min/Max	Usage
TAX010	5283	Duty/tax/fee function qualifier	M	an	1/3	Cummins Mandatory

Description: Code identifying the function of an duty, tax or fee information.

Code List Summary (Total Codes: 8, Included: 1)

Code Name

7 Tax

Description: Contribution levied by an authority.

TAX020	C241	DUTY/TAX/FEE TYPE	C	Comp		Cummins Mandatory
--------	------	-------------------	---	------	--	-------------------

Description: Code and/or name identifying duty, tax or fee.

TAX020-010	5153	Duty/tax/fee type, coded	C	an	1/3	Cummins Mandatory
------------	------	--------------------------	---	----	-----	-------------------

Description: Identification of the type of duty or tax or fee applicable to commodities or of tax applicable to services.

Code List Summary (Total Codes: 45, Included: 1)

Code Name

VAT Value added tax

Description: A tax on domestic or imported goods applied to the value added at each stage in the production/distribution cycle.

TAX050	C243	DUTY/TAX/FEE DETAIL	C	Comp		Cummins Mandatory
--------	------	---------------------	---	------	--	-------------------

Description: Rate of duty/tax/fee applicable to commodities or of tax applicable to services.

TAX050-040	5278	Duty/tax/fee rate	C	an	1/17	Cummins Mandatory
------------	------	-------------------	---	----	------	-------------------

Description: Rate of duty or tax or fee applicable to commodities or of tax applicable to services.

TAX060	5305	Duty/tax/fee category, coded	C	an	1/3	Cummins Optional
--------	------	------------------------------	---	----	-----	------------------

<u>Ref</u>	<u>Tag</u>	<u>Element Name</u>	<u>Status</u>	<u>Type</u>	<u>Min/Max</u>	<u>Usage</u>
		Description: Code identifying a tax/duty/fee category within a tax/duty/fee type system.				
TAX070	3446	Party tax identification number	C	an	1/20	Cummins Mandatory
		Description: Number assigned to a purchaser (buyer, orderer) by a tax jurisdiction(state, country, etc).				

MOA MONETARY AMOUNT

Pos: 2180	Max: 2
Conditional	
Group: 51	Elements: 1

User Option (Usage): Cummins Mandatory

Cummins Note:

SEGMENT IS REQUIRED FOR COUNTRIES THAT ARE REQUIRED TO CHARGE VAT TAX:

However for invoices to CBS Belgium, this segment should contain both the tax amount and the equivalent amount (if applicable).

Example EDI:

MOA+150:12.00008
MOA+57:10

Element Summary:

<u>Ref</u>	<u>Tag</u>	<u>Element Name</u>	<u>Status</u>	<u>Type</u>	<u>Min/Max</u>	<u>Usage</u>
MOA010	C516	MONETARY AMOUNT	M	Comp		Cummins Mandatory

Description: Amount of goods or services stated as a monetary amount in a specified currency.

MOA010-010	5025	Monetary amount type qualifier	M	an	1/3	Cummins Mandatory
------------	------	---------------------------------------	---	----	-----	-------------------

Description: Indication of type of amount.

Cummins Note:

If MOA010-010 = 57, for invoices to Cummins Limited and all UK based entities, where;

(i) 20% UK Value Added Tax (VAT) has been charged on the invoice,
AND

(ii) VAT is in a currency other than GBP

The Supplier must state the GBP equivalent of the VAT amount or exchange rate when the data is transferred. This is a statutory requirement for UK VAT reclaim.

Code List Summary (Total Codes: 360, Included: 2)

Code Name

57 Equivalent amount

Description: This amount is equivalent to the amount to be transferred, but in another currency.

150 Value added tax

Description: Amount in national currency resulting from the application, at the appropriate rate, of value added tax (or similar tax) to the invoice amount subject to such tax.

MOA010-020	5004	Monetary amount	C	n	1/18	Cummins Mandatory
------------	------	------------------------	---	---	------	-------------------

Description: Number of monetary units.

<u>Ref</u>	<u>Tag</u>	<u>Element Name</u>	<u>Status</u>	<u>Type</u>	<u>Min/Max</u>	<u>Usage</u>
		Cummins Note:				Tax amount (5 decimal places).

Segment Group 52

Pos: 2190	Repeat: 15
Conditional	
Group: 52	Elements: N/A

User Option (Usage): Cummins Optional

Cummins Note:

Segment Group 52 will contain:
 ALC Segment
 MOA Segment

If you have no additional charges on your invoice, then do not include Segment Group 52.

Segment Group Summary:

<u>Pos</u>	<u>Tag</u>	<u>Segment Name</u>	<u>Status</u>	<u>Rep</u>	<u>Usage</u>
2200	ALC	ALLOWANCE OR CHARGE	M	1	Cummins Mandatory
2220	MOA	MONETARY AMOUNT	C	2	Cummins Mandatory

ALC ALLOWANCE OR CHARGE

Pos: 2200	Max: 1
Mandatory	
Group: 52	Elements: 2

User Option (Usage): Cummins Mandatory

Example EDI:

ALC+C+++ADD

Element Summary:

Ref	Tag	Element Name	Status	Type	Min/Max	Usage
ALC010	5463	Allowance or charge qualifier	M	an	1/3	Cummins Mandatory

Description: Specification of an allowance or charge for the service specified.

Code List Summary (Total Codes: 24, Included: 1)

Code Name

C Charge

Description: Self explanatory.

ALC050	C214	SPECIAL SERVICES IDENTIFICATION	C	Comp		Cummins Mandatory
--------	------	---------------------------------	---	------	--	-------------------

Description: Identification of a special service by a code from a specified source or by description.

ALC050-010	7161	Special services, coded	C	an	1/3	Cummins Mandatory
------------	------	-------------------------	---	----	-----	-------------------

Description: Code identifying a special service.

Code List Summary (Total Codes: 262, Included: 16)

Code Name

EX Export shipping charge

Description: Description to be provided.

FC Freight charge

Description: Amount to be paid for moving goods, by whatever means, from one placeto another, inclusive discounts, allowances, rebates, adjustment factors and additional cost relating to freight costs (UN/ECE Recommendation no 23).

IN Insurance

Description: Charge for insurance.

LS Local sales tax

Description: (All applicable sales taxes by authorities below the state level).

PC Packing

Description: Charge for packing.

PN Pallet charge

Description: Description to be provided.

SC Surcharge

Description: An additional amount added to the usual charge.

SU Set-up

Code Name

	Description: Description to be provided.
AAC	Modification costs Description: Costs for technical modifications to a product.
ABD	Overtime Description: Fee charge for service rendered beyond the established limit of working hours.
ABG	Tooling charge Description: Item or service relates to tooling charges, not direct provision of goods.
ABK	Miscellaneous Description: The service provided for the stated charge is not defined.
ADD	Inland transportation Description: The transportation charge related to the inland segment of a journey.
CAA	Cancellation charge Description: Charge incurring with cancellation.
SAA	Shipping and handling Description: Description to be provided.
SAD	Special packaging Description: Description to be provided.

MOA MONETARY AMOUNT

Pos: 2220	Max: 2
Conditional	
Group: 52	Elements: 1

User Option (Usage): Cummins Mandatory

Example EDI:

MOA+23:11.00

Element Summary:

<u>Ref</u>	<u>Tag</u>	<u>Element Name</u>	<u>Status</u>	<u>Type</u>	<u>Min/Max</u>	<u>Usage</u>
MOA010	C516	MONETARY AMOUNT	M	Comp		Cummins Mandatory

Description: Amount of goods or services stated as a monetary amount in a specified currency.

MOA010-010	5025	Monetary amount type qualifier	M	an	1/3	Cummins Mandatory
------------	------	--------------------------------	---	----	-----	-------------------

Description: Indication of type of amount.

Code List Summary (Total Codes: 360, Included: 1)

Code Name

23 Charge amount

Description: Self explanatory.

MOA010-020	5004	Monetary amount	C	n	1/18	Cummins Mandatory
------------	------	-----------------	---	---	------	-------------------

Description: Number of monetary units.

Cummins Note: Charge amount (5 decimal places).

UNT MESSAGE TRAILER

Pos: 2240	Max: 1
Mandatory	
Group: N/A	Elements: 2

User Option (Usage): Cummins Mandatory

Example EDI:

UNT+10+1

Element Summary:

<u>Ref</u>	<u>Tag</u>	<u>Element Name</u>	<u>Status</u>	<u>Type</u>	<u>Min/Max</u>	<u>Usage</u>
UNT010	0074	Number of segments in a message	M	n	1/6	Cummins Mandatory

Description: Control count of number of segments in a message.

UNT020	0062	Message reference number	M	an	1/14	Cummins Mandatory
--------	------	--------------------------	---	----	------	-------------------

Description: Unique message reference assigned by the sender.

Cummins Note: This will be the same message reference number as in the UNH segment.

UNZ INTERCHANGE TRAILER

Pos:	Max: 1
Mandatory	
Group: N/A	Elements: 2

User Option (Usage): Cummins Mandatory

Example EDI:

UNZ+1+1

Element Summary:

<u>Ref</u>	<u>Tag</u>	<u>Element Name</u>	<u>Status</u>	<u>Type</u>	<u>Min/Max</u>	<u>Usage</u>
UNZ010	0036	Interchange control count	M	n	1/6	Cummins Mandatory

Description: Count either of the number of messages or, if used, of the number of functional groups in an interchange.

UNZ020	0020	Interchange control reference	M	an	1/14	Cummins Mandatory
--------	------	-------------------------------	---	----	------	-------------------

Description: Unique reference assigned by the sender to an interchange.

Cummins Note: This will be the same interchange control reference number as in the UNB segment.